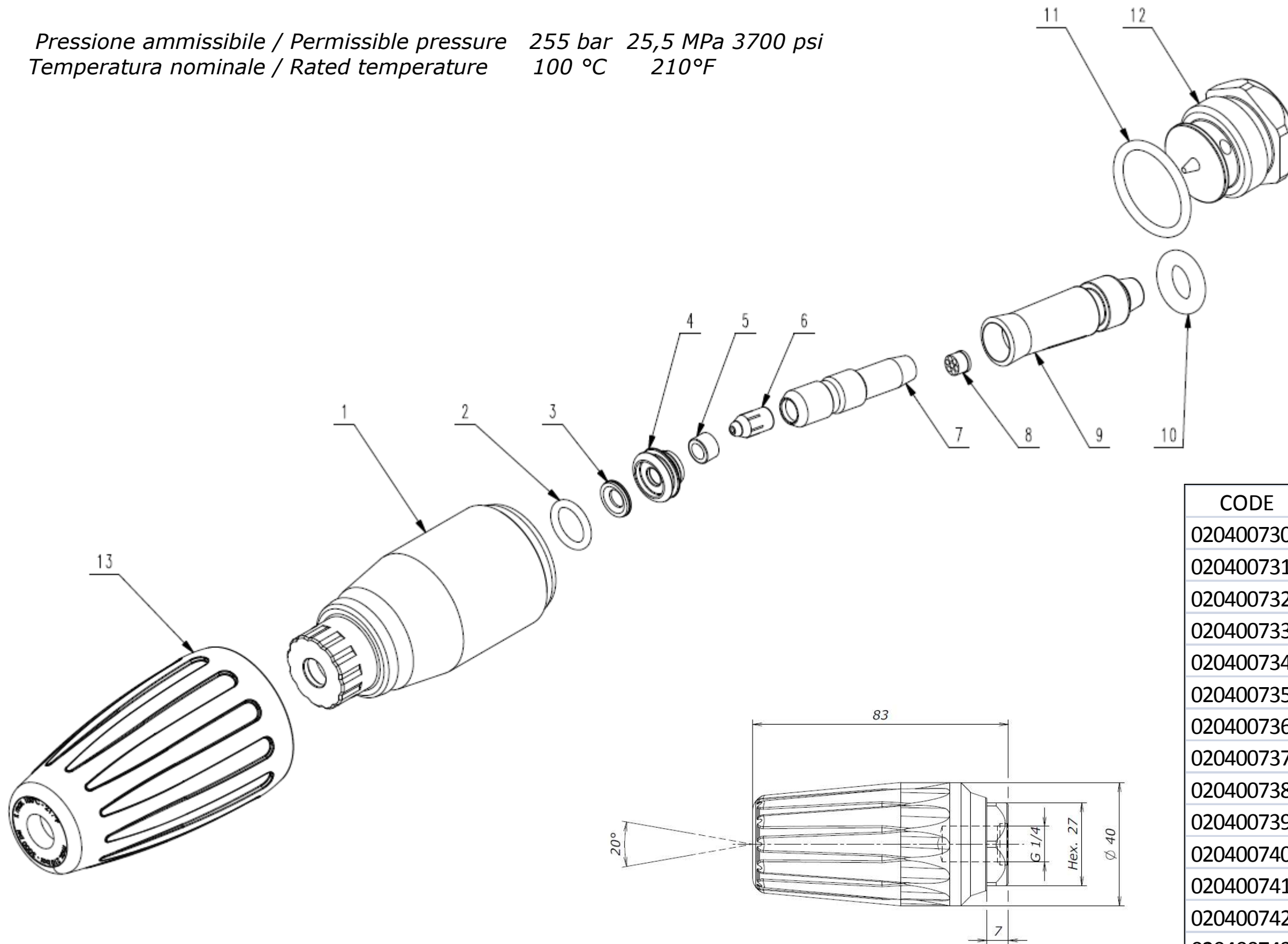


Pressione ammissibile / Permissible pressure 255 bar 25,5 MPa 3700 psi
 Temperatura nominale / Rated temperature 100 °C 210°F



POS.	KIT	DESCRIPTION	QTY
1		CASING	1
2	x	O-RING	1
3	x	DISC	1
4	x	CONSUMPTION DISC	1
5	x	BEARING	1
6	x	NOZZLE	1
7	x	ROTATION SLEEVE	1
8	x	RECTIFIER	1
9	x	RUNNER	1
10	x	O-RING	1
11	x	O-RING	1
12		PLUG	1
13		CASING PROTECTION	1

CODE	DESCRIPTION	REPAIR KIT
0204007300	ROTOJET 255 BAR - 020	0204107300
0204007310	ROTOJET 255 BAR - 025	0204107310
0204007320	ROTOJET 255 BAR - 030	0204107320
0204007330	ROTOJET 255 BAR - 035	0204107330
0204007340	ROTOJET 255 BAR - 040	0204107340
0204007350	ROTOJET 255 BAR - 045	0204107350
0204007360	ROTOJET 255 BAR - 050	0204107360
0204007370	ROTOJET 255 BAR - 055	0204107370
0204007380	ROTOJET 255 BAR - 060	0204107380
0204007390	ROTOJET 255 BAR - 065	0204107390
0204007400	ROTOJET 255 BAR - 070	0204107400
0204007410	ROTOJET 255 BAR - 075	0204107410
0204007420	ROTOJET 255 BAR - 080	0204107420
0204007430	ROTOJET 255 BAR - 090	0204107430
0204007440	ROTOJET 255 BAR - 100	0204107440
0204007460	ROTOJET 255 BAR - 120	0204107460

I KIT COD. 0204107300/0204107460 SONO COMPOSTI
 DAI PARTICOLARI INDICATI CON (x)

KITS CODE 0204107300/0204107460 ARE MADE BY
 COMPONENTS MARKED WITH (x)

DENOMINAZIONE - TITLE
 ROTOJET 255

VIETATO RIPRODURRE O DIVULGARE IN TOTO O IN PARTE IL PRESENTE
 DISEGNO SENZA AUTORIZZAZIONE SCRITTA DELLA TECOMECC S.p.A.

IT IS FORBIDDEN TO PARTIALLY OR TOTALLY COPY, USE OR DISCLOSE THIS MATERIAL
 WITHOUT PRIOR WRITTEN CONSENT FROM TECOMECC S.p.A.

CODICE CLIENTE - CUSTOMER PART NO.

tecomec

42124- REGGIO EMILIA - ITALY

CODICE - PART NO.

P00804207

REV.

1